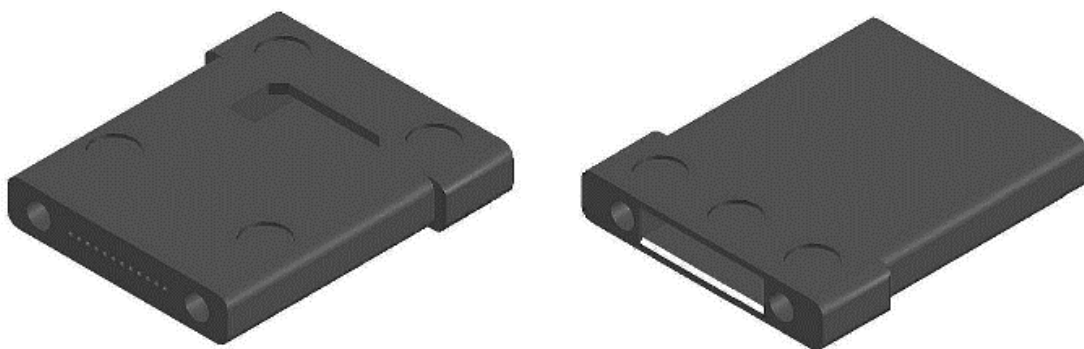


Compact MT



To comply with the request to apply MT ferrule in a very small space, Hakusan Inc. developed our original "Half Thickness type" and "Half Thickness and Length" type.

Half Thickness 12 MT Ferrule (Product name : 12MT-PF-M-T1.25)

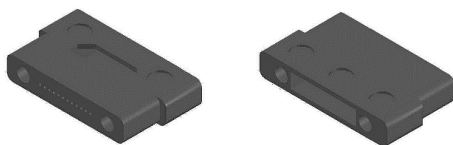


Standard MT Ferrule

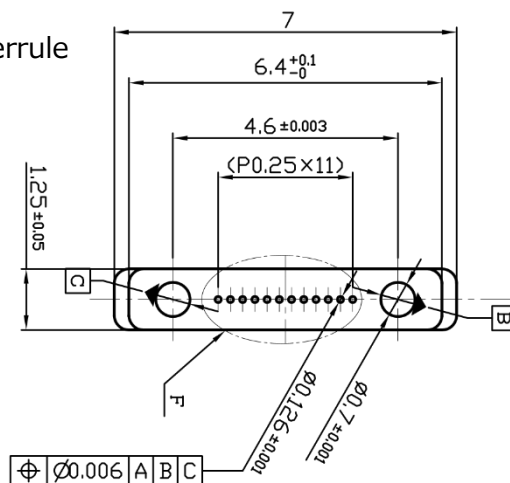
Half Thickness MT Ferrule

- 12Fibers Ferrule
- Thickness = 1.25mm
- Length = 8mm
- Flat Flange
- Available for MM applications

& Half Length 12 MT Ferrule



- Thickness = 1.25mm
 - Length = 4mm
- In development**



株式会社 白山
HAKUSAN

<http://www.hakusan-mfg.co.jp>

10-13, 1-chome, Minamiikebukuro, Toshima-ku
Tokyo, 171-0022 Japan

TEL+81(0)3 5951 1614, FAX+81(0)3 5951 1216

Contents of this brochure may be changed without notification.

No.HI0808-09.3 2017.1